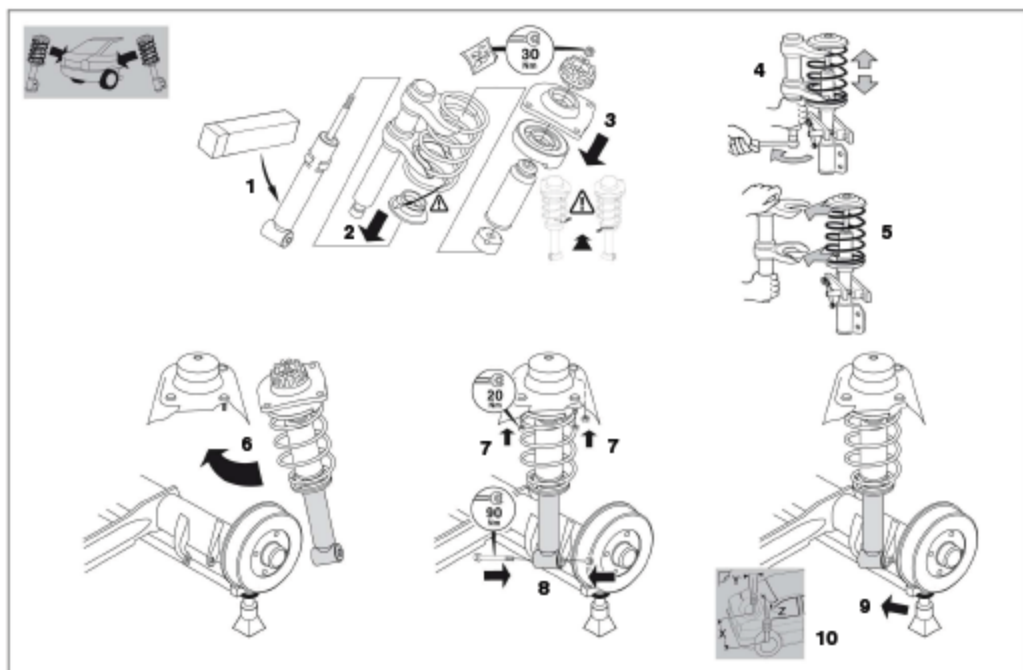
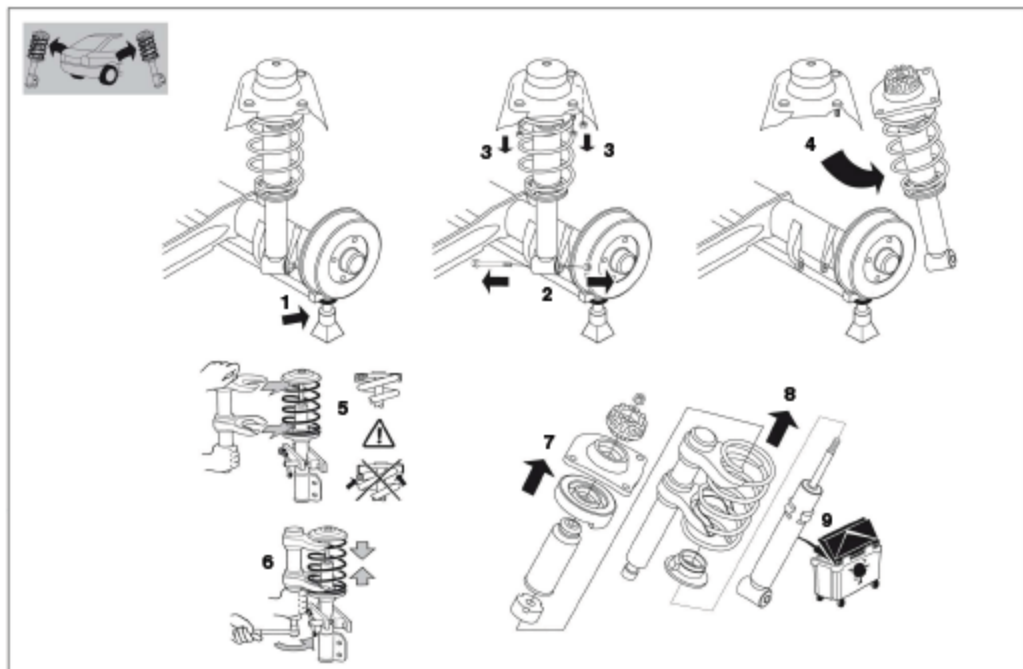


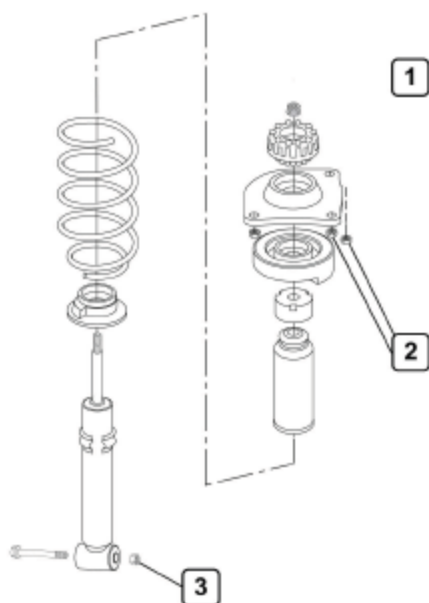
## IN-152



## IN-152



- 1 30 Nm
- 2 20 Nm
- 3 90 Nm



O.E.  
KYB

